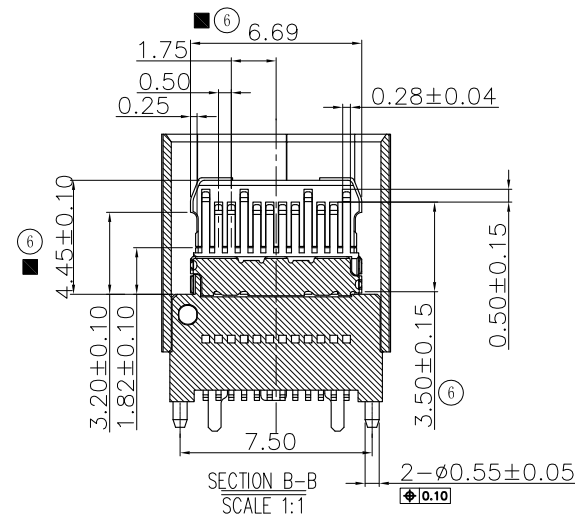
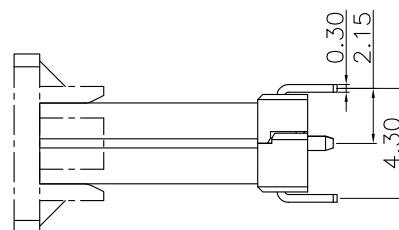
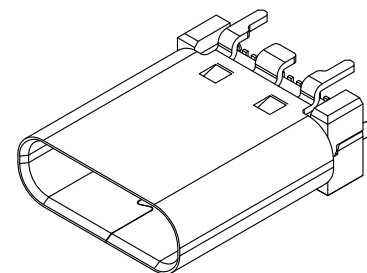
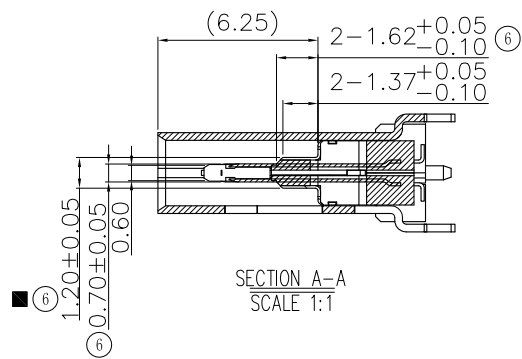
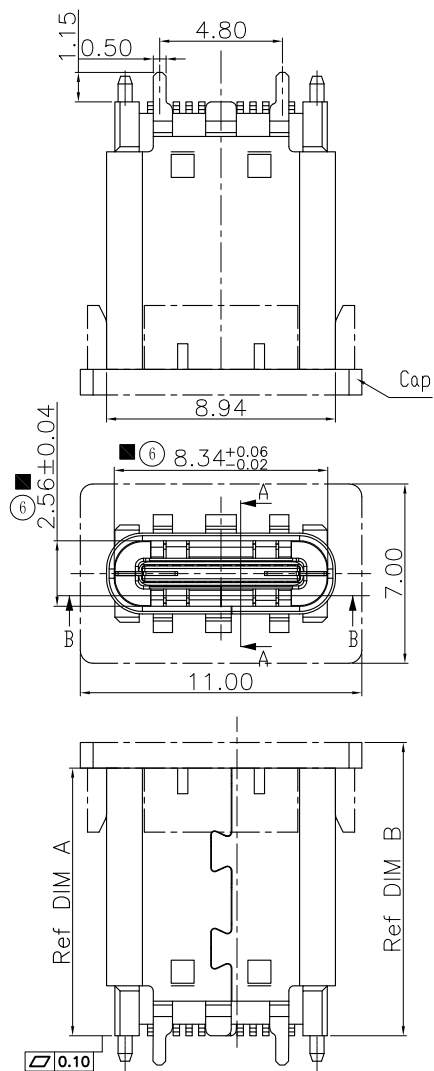


RoHS

目錄 MAPX	设变内容 MODIFICATION	日期 DATE
A0	NEW	09-10-20



NO	DIM A	DIM B
1	10.5	11.50
2	9.3	10.30

<p>产品图 PRODUCT CHART DWG</p>		<p>库乐科技</p>							
<p>公差一览表 TOLERANCE UNLESS OTHERWISE</p>				<p>单位 UNITS</p>	<p>MM</p>	<p>制图 DRAWING</p>	<p>黄婷</p>	<p>产品料号 PRODUCT PART NO.</p>	<p>CLLM001-UCAF002</p>
X.	±0.30	X'	±5°	<p>比例 SCALE</p>	<p>1:1</p>	<p>审核 CHKD</p>	<p>周卫柏</p>	<p>产品名称 PRODUCT NO.</p>	<p>TYPE C 母座24P 立式SMT H=10.5 脚长1.15</p>
.X	±0.25	.X'	±2°						
.XX	±0.30	.XX'	±1°	<p>日期 DATE</p>	<p>2009/10/20</p>	<p>核准 APPD</p>	<p>鲁俊</p>	<p>角法 VIEW</p>	<p>版本 VER</p>
.XXX	±0.15	.XXX'	±0.5°						<p>A0</p>

RoHS

目錄 MAPX	设变内容 MODIFICATION	日期 DATE
A0	NEW	09-10-20

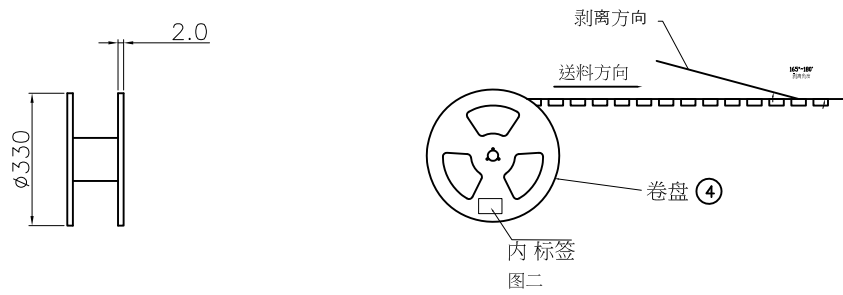
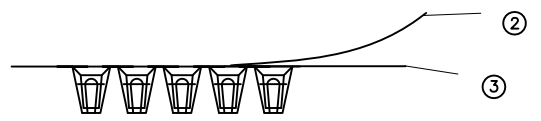
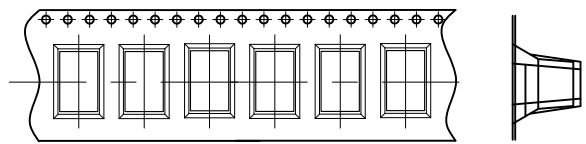
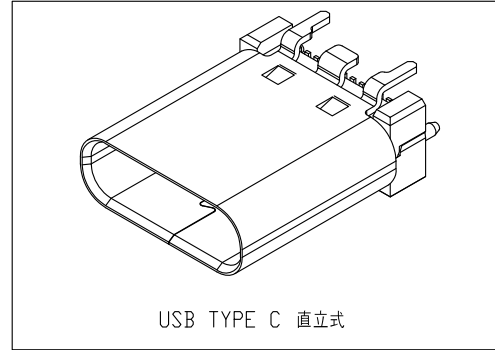
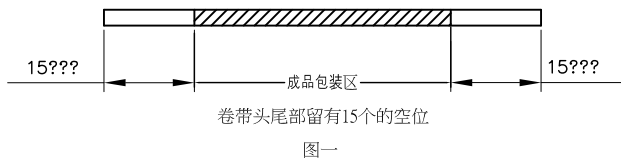


TABLE A

序号	品名	规格	数量
①	USB TYPE C 直立式		4.5 K
②	包装履膜	GP PET,W=24.0mm,???	7.68*10
③	载带	GP PS透明 W=24mm P=16mm T=0.50mm(1卷/1.68m)	7.68*10
④	卷盘	卷盘330*24.0 (内宽)	10PCS
⑤	纸板	390*390*3mm	2PCS
⑥	三角套	320(90+140+90)*300mm	4PCS
⑦	纸箱	400*400*335mm K=K	1PCS
⑧	气泡袋	600*600*0.15	1PCS

产品图
PRODUCT CHART DWG

公差一览表
TOLERANCE UNLESS OTHERWISE

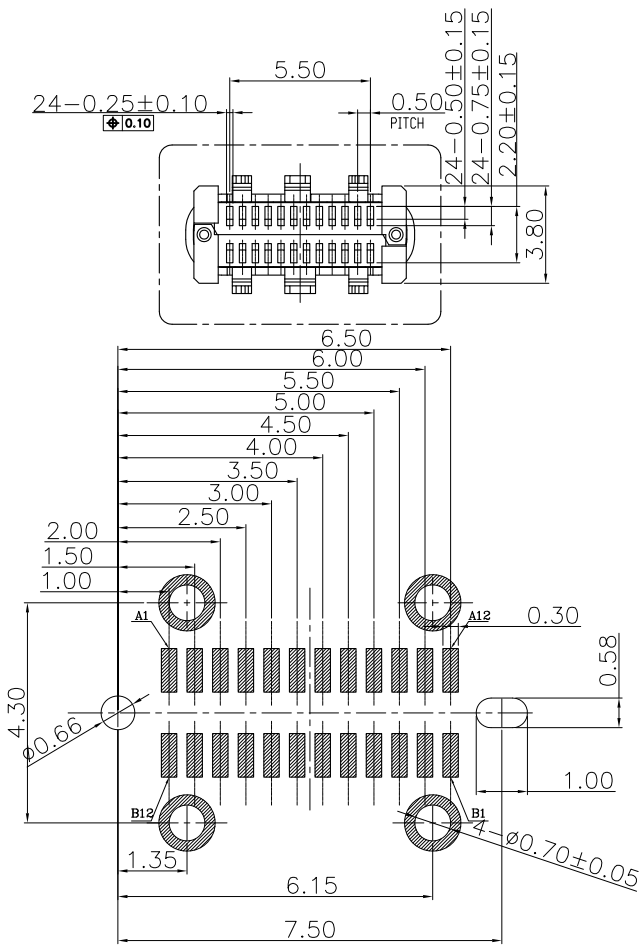
X.	±0.30	X'	±5°
.X	±0.25	.X'	±2°
.XX	±0.30	.XX'	±1°
.XXX	±0.15	.XXX'	±0.5°

库乐科技

单位 UNITS	MM	制图 DRAWING	黄婷	产品料号 PRODUCT PART NO.	CLLM001-UCAF002
比例 SCALE	1:1	审核 CHKD	周卫柏	产品名称 PRODUCT NO.	TYPE C母座24P 立式SMT H=10.5脚长1.15
日期 DATE	2009/10/20	核准 APPD	鲁俊	角法 VIEW	版本 VER

RoHS

目錄 MAPX	設變內容 MODIFICATION	日期 DATE
A0	NEW	09-10-20



RECOMMENDED P.C.B. LAYOUT (T:1.00mm)
TOLERANCE UNSPECIFIED ±0.05mm

SPECIFICATIONS:

- MECHANICAL :
 - INSERTION FORCE :5N~20N
 - WITHDRAWAL FORCE :8N~20N
AFTER 10,000 CYCLES MATING: 2N MIN.
- ELECTRICAL :
 - CONTACT CURRENT RATING: 3A .
 - VOLTAGE RATING :30V AC (rms)
 - WITHSTANDING VOLTAGE: 100 VAC FOR 1 MINUTE.
INSULATION RESISTANCE: 100 MEGAOHMS MIN.
 - CONTACT RESISTANCE: 40 MILLIOHMS MAX.
- ENVIRONMENTAL :
 - OPERATING TEMPERATURE:-25°C TO +85°C

PIN	Signal Name	Description	PIN	Signal Name	Description
A1	GND	Ground return	B12	GND	Ground return
A2	SSTXp1	Positive half of first SuperSpeed TX differential pair	B11	SSRXp1	Positive half of first SuperSpeed RX differential pair
A3	SSTXn1	Negative half of first SuperSpeed TX differential pair	B10	SSRXn1	Negative half of first SuperSpeed RX differential pair
A4	Vbus	Bus Power	B9	Vbus	Bus Power
A5	CC1	Configuration Channel	B8	SBU2	Sideband Use (SBU)
A6	Dp1	Positive half of the USB 2.0 differential pair-Position 1	B7	Dn2	Negative half of the USB 2.0 differential pair-Position 2
A7	Dn1	Negative half of the USB 2.0 differential pair-Position 1	B6	Dp2	Positive half of the USB 2.0 differential pair-Position 2
A8	SBU1	Sideband Use(SBU)	B5	CC2	Configuraation Channel
A9	Vbus	Bus Power	B4	Vbus	Bus Power
A10	SSRXn2	Negative half of second SuperSpeed RX differential pair	B3	SSTXn2	Negative half of second SuperSpeed TX differential pair
A11	SSRXp2	Positive half of second SuperSpeed RX differential pair	B2	SSTXp2	Positive half of second SuperSpeed TX differential pair
A12	GND	Ground return	B1	GND	Ground return

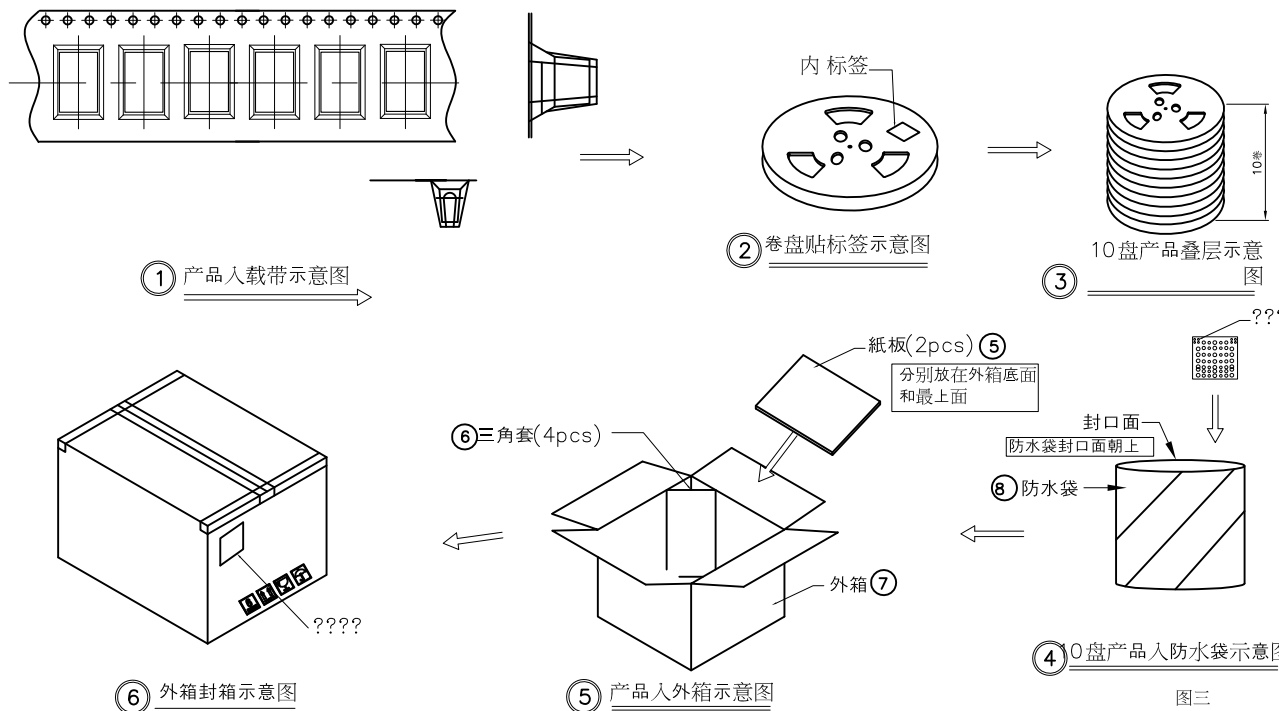
<p>产品图 PRODUCT CHART DWG</p>		<p>库乐科技</p>								
<p>公差一览表 TOLERANCE UNLESS OTHERWISE</p>				单位 UNITS	MM	制图 DRAWING	黄婷	产品料号 PRODUCT PART NO.	CLLM001-UCAF002	
X.	±0.30	X'	±5°	比例 SCALE	1:1	审核 CHKD	周卫柏	产品名称 PRODUCT NO.	TYPE C母座24P立式SMT H=10.5脚长1.15	
.X	±0.25	.X'	±2°							
.XX	±0.30	.XX'	±1°	日期 DATE	2009/10/20	核准 APPD	鲁俊	角法 VIEW	版本 VER	A0
.XXX	±0.15	.XXX'	±0.5°							

RoHS

目錄
MAPX
A0

設變內容
MODIFICATION
NEW

日期
DATE
09-10-20



包装说明：

1. 将检验好的成品; SMT朝下放入载带底部; 每卷装450PCS产品; 具体如图一所示
2. 将包装好的产品; 每盘必需贴上内标签; 具体如图二所示
3. 将贴好内标签的产品每10盘叠一层装入防水袋中并加一包干燥剂; 装好后将防水袋封好; 具体如图三图四所示
4. 先将1pcs平卡放入纸箱底部; 然后将装好产品的防水袋装入纸箱中; 防水袋热熔封口, 封口面需朝上; 并将4PCS三角套分别装入4个角; 如图五所示
5. 装好后将1pcs平卡放入纸箱最上面并封好纸箱及贴好相关标签; 具体如图六所示; (产品包装的标签, 如客户有要求, 请按客户要求包装出货)
6. 载带前面和后面各留16PCS空格
7. COVER与CARRY剥离力: 50-125g, 速度: 300mm/分钟左右, 剥离角度: 165°-180°

<p>产品图 PRODUCT CHART DWG</p>				<p>库乐科技</p>						
<p>公差一览表 TOLERANCE UNLESS OTHERWISE</p>				<p>单位 UNITS</p>	<p>MM</p>	<p>制图 DRAWING</p>	<p>黄婷</p>	<p>产品料号 PRODUCT PART NO.</p>	<p>CLLM001-UCAF002</p>	
X.	±0.30	X'	±5°	<p>比例 SCALE</p>	<p>1:1</p>	<p>审核 CHKD</p>	<p>周卫柏</p>	<p>产品名称 PRODUCT NO.</p>	<p>TYPE C母座24P立式SMT H=10.5脚</p>	
.X	±0.25	.X'	±2°						<p>日期 DATE</p>	<p>2009/10/20</p>
.XX	±0.30	.XX'	±1°							
.XXX	±0.15	.XXX'	±0.5°							